

SEETRONIC

Product Data Sheet

Product Type

Speaker Connector

Product Model

SL4FX-N

Customer Name

Manufacturer	Prepared	Checked	Approved

Customer	Received	Checked	Confirmed



Product Data Sheet

Product Type	Speaker Connector	
Product Model	SL4FX-N	
Product Features		
<ul style="list-style-type: none">➤ 4 pole loudspeaker plug➤ Current rating 40 A rms continuous➤ Only 3 parts, easy to assemble plastic housing➤ Strain relief chuck for cable 7-14.5mm O.D.➤ High impact materials - long-lasting and reliable➤ Improved grip on latch for easy operation		



Product Data Sheet

Product Parameters

Item	Specification
Connection type	Speaker
Gender	Female

Electrical Parameters

Item	Specification
Number of contacts	4
Rated current	40A rms
Rated voltage	250 V
Contact resistance	$\leq 5 \text{ m}\Omega$
Dielectric strength	2.8 KV AC
Insulation resistance	$> 1000 \text{ M}\Omega$
Attention	Cannot be used as an AC source or power connector!



Product Data Sheet

Mechanical Parameters

Item	Specification
Service life	> 1000 mating cycles
Power cable diameter	2.5 mm ² (7mm -14.5mm)

Material and Environmental Parameters

Item	Specification
Housing	PA66
Contacts	Cu alloy
Contact plating	Ag
Inner core	PA
Thread clamp set	POM
Flame-retardant grade	UL 94-V0
Temperature range	-30°C ~ +80°C

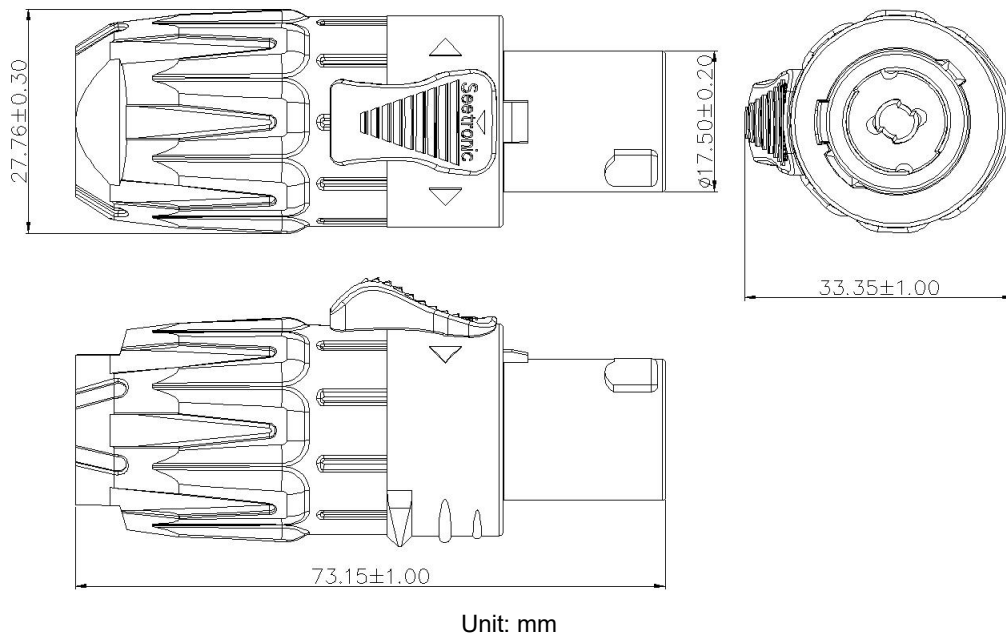
Standards and Certifications

Standards	IEC 61984
-----------	-----------



Product Data Sheet

Product Drawing



Packaging Method

PE bag packing, 1 pc per bag
50 pcs per inner carton, 5 inner cartons per master carton (250 pcs per master carton)

Accessory

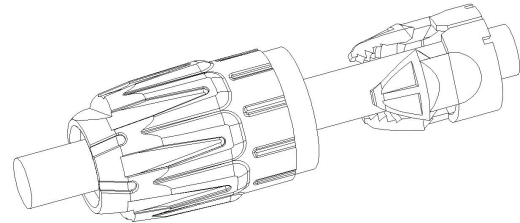
- | | |
|--|--|
| <input checked="" type="checkbox"/> No accessories | <input type="checkbox"/> Back fastener plate |
| <input type="checkbox"/> Screws and Nuts | <input type="checkbox"/> Other |



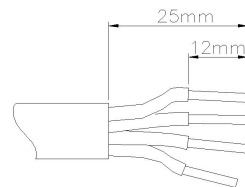
Product Data Sheet

Assembly Instructions

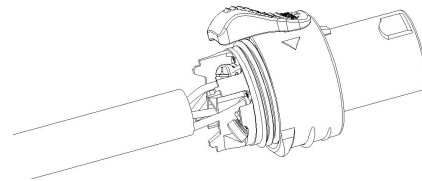
(1) Put the cable through the boot sleeve and clamp



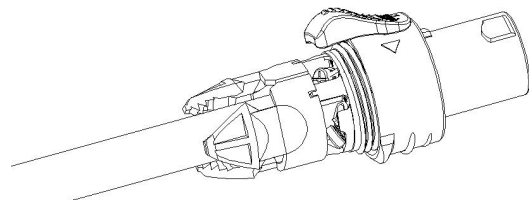
(2) Strip the cable in the size as shown.



(3) Insert the conductor of the cable into the terminal of the inner core and then lock with a torque of 0.7 Nm



(4) Slide the clamp and snap onto the assembled inner core



(5) Finally, screw the boot into the housing and tighten in a clockwise direction.

